



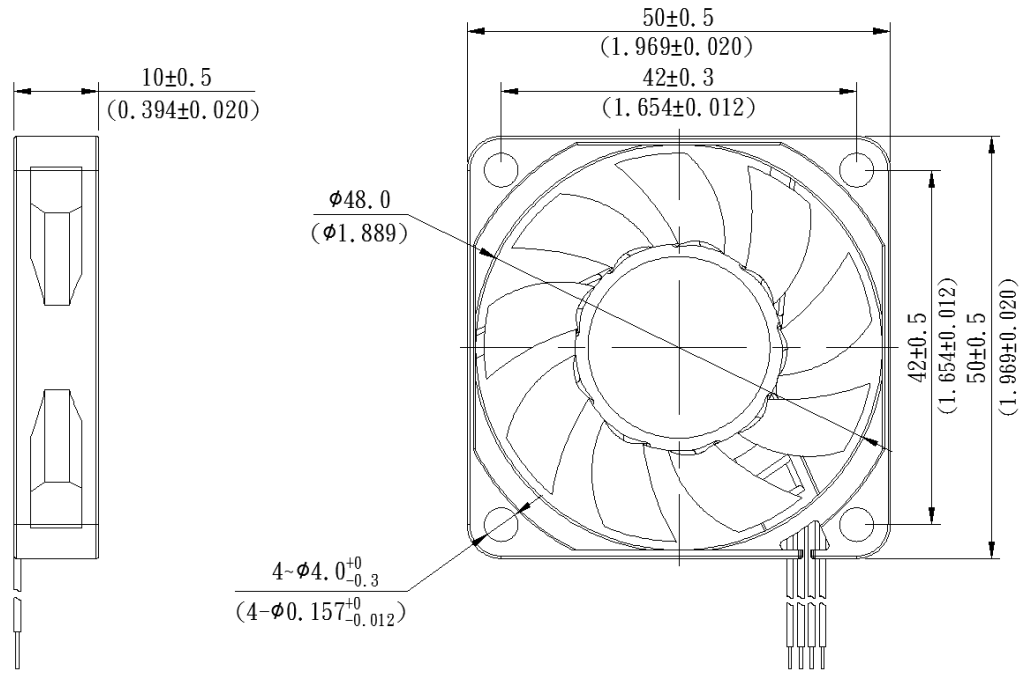
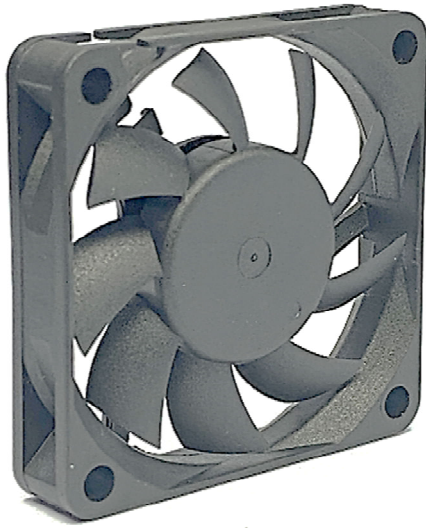
# GLOBEFAN TECHNOLOGY CO., LTD.

No. 28, 3 Lane Zhongxinjin Road, Jin Industry District Shoei Koou Village,  
Da Laang Town, Dungguan City, Guangdong Province, China

Tel : +86 769 83182898~9

Fax : +86 769 83182897

## ◆ DIMENSIONS DRAWING



### \* BEARING TYPE

- Ball bearing
- Sleeve bearing

### \* Electrical Function

- Frequency Generator Output Signal
- RD (Lock Detection) Output Signal
- PWM(Pulse Width Modulation)

### \* Material

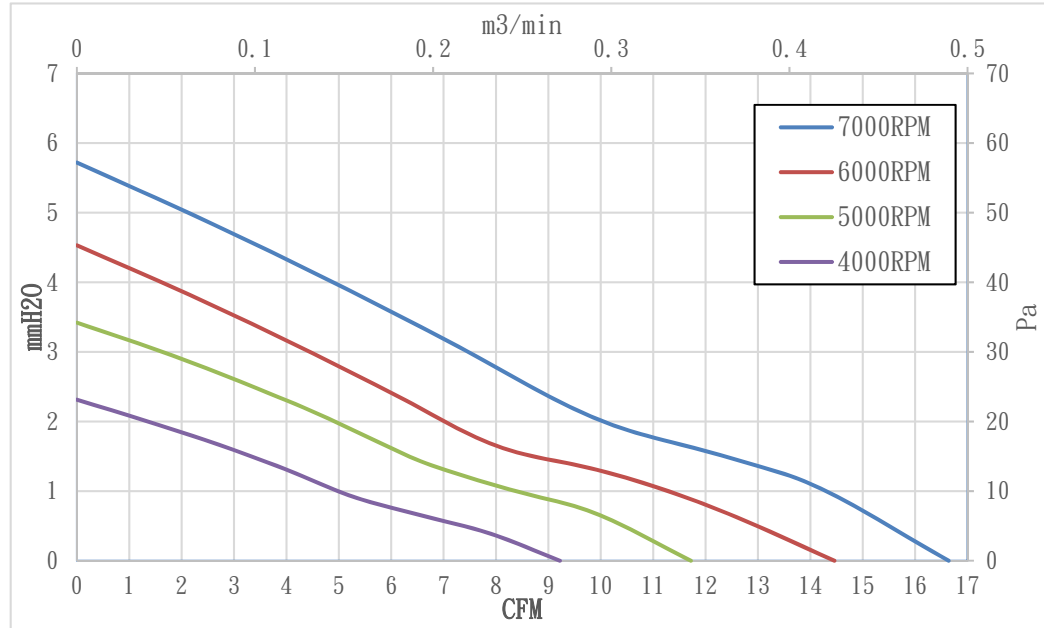
Impeller: Plastic (PBT 30%GF)  
Frame : Plastic (PBT 30%GF)

### \* Lead wires

UL1007 28AWG or Equivalent  
Black Wire Negative (-)  
Red or Yellow Wire Positive (+)  
Green Wire Signal (FG)  
Blue Wire (PWM)

### \* Weight : 18g (0.63 oz)

### ◆ 50x50x10mm DC Axial Fan P/Q Curves (At rated speed) C Verison



MODEL	Operating Voltage Range	Rated Voltage	Rated Current	Rated Input Power	Speed	Maximum Air Flow		Maximum Air Pressure		Noise
Part No.	VDC	VDC	Amp	Watts	R.P.M	m <sup>3</sup> /min	CFM	mmH <sub>2</sub> O	Pa	dB(A)
B/S0501005HHC	3 ~5.5	5	0.45	2.3	7000±10%	0.47	16.64	5.72	56.09	36.2
B/S0501005HC	3 ~5.5	5	0.30	1.5	6000±10%	0.41	14.46	4.53	44.42	32.4
B/S0501005MC	3 ~5.5	5	0.23	1.2	5000±10%	0.33	11.72	3.42	33.54	28.1
B/S0501005LC	3~5.5	5	0.18	0.9	4000±10%	0.26	9.22	2.31	22.65	21.9
B/S0501012HHC	5 ~13.8	12	0.30	3.6	7000±10%	0.47	16.64	5.72	56.09	36.2
B/S0501012HC	5 ~13.8	12	0.25	3.0	6000±10%	0.41	14.46	4.53	44.42	32.4
B/S0501012MC	5 ~13.8	12	0.20	2.4	5000±10%	0.33	11.72	3.42	33.54	28.1
B/S0501012LC	5 ~13.8	12	0.10	1.2	4000±10%	0.26	9.22	2.31	22.65	21.9

\* Function type is optional.

\* The max. air flow and speed are measured in free air; max. air pressure is measured at close to zero air flow.

\* Noise is measured in anechoic chamber in free air, one meter from intake side.

\* All readings are typical values at rated voltage.

\* Specifications are subject to change without notice.